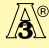


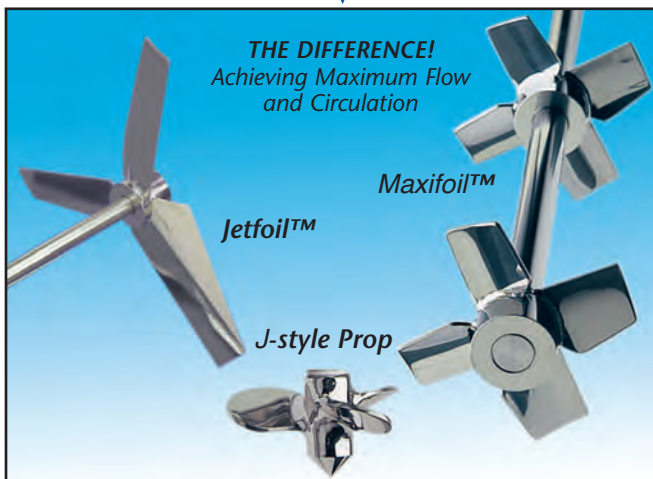
### High efficiency impellers and all SS construction

Rotomixx impellers combine 25+ years of "hydrofoil" blade technology into three distinct, high performance designs, including our 3-blade Jetfoil, our ultra sanitary J Prop, and our unique wide blade Maxifoil. All are designed to provide up to 200% more flow per horsepower over conventional impellers. Our gearbox, motor, bearing frame, shaft and impeller are all 316SS. Available as a direct drive up to 3450 RPM or gear drive up to 350 RPM.

#### THE ROTOMIXX DESIGN ADVANTAGE:

- ✓ Total washdown capability with  TPV (#73-01) compliance
- ✓ Superb corrosion resistance compared to other "paint-free" mixers
- ✓ Mounting options range from heavy duty clamps to sanitary ferrules/clamps
- ✓ Available from 1/2 to 3 HP for 50 to 3,000 gallon tanks
- ✓ Replaces outdated painted portable mixers
- ✓ Validation documentation & factory acceptance testing (FAT) for GMP and FDA requirements

*Gear driven models come standard with Jetfoil™ blades which offer a 200% increase in flow per horsepower over conventional pitch blade turbines. Direct drive models come standard with special wide blade, high volume Maxifoil™ blades, or with custom, machined and threaded J-style props, which are polished and sealed against contamination, but removable when necessary for inspection. Optional custom impellers and attachment methods are also available based on your requirements.*



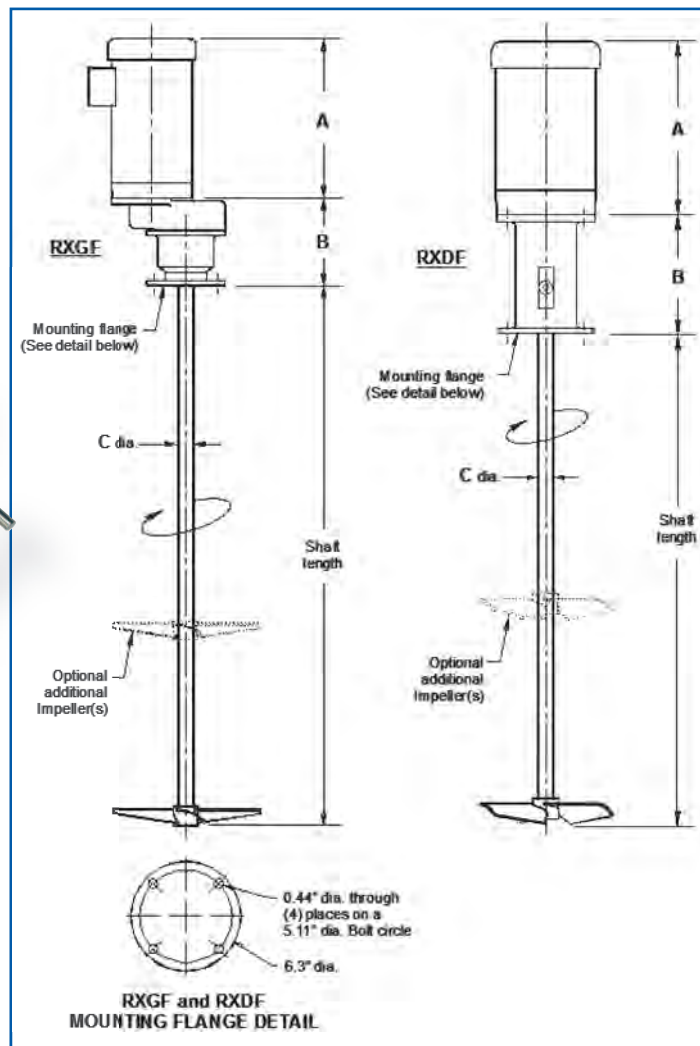
Not all equipment shown meets 3-A compliance

## Small Package with Big Results!

The Rotomixx provides rapid blend times at higher viscosities and volumes. For holding tanks, suspension tanks, storage or rapid mixing, the Rotomixx provides superior circulation and flow characteristics – normally obtainable only with larger, higher horse-power agitators.

Drive Type	Direct			5:1 Gear reduction		
Model	100RXDF	100RXDC	100RXDS	100RXGF	100RXGC	100RXGS
Output Speed (RPM)	1750	1750	1750	350	350	350
HP Range	1/2 - 3	1/2 - 3	1/2 - 3	1/2 - 2	1/2 - 2	1/2 - 2
Maximum Motor Frame	145TC	145TC	145TC	56C	56C	56C
Mounting Arrangement	Flange	Sanitary C-Clamp Type Ferrule	Tri-Clamp	Flange	Sanitary C-Clamp Type Ferrule	Tri-Clamp
Shaft Engagement (inches)	5"	5"	5"	4"	4"	4"
Shaft Diameter (inches)	1" & 1.25"	1" & 1.25"	1" & 1.25"	1"	1"	1"
Max. Shaft Length (inches)	48"	48"	58"	72"	72"	72"
Approximate Weight (lbs.)	70 to 110	80 to 125	75 to 115	82 to 130	100 to 145	90 to 135

Tri-Clamp® is a registered trademark of Alfa Laval, Inc.



For more information:

EMPLOYEE OWNED ...  
CUSTOMER FOCUSED



## Selection & Performance

Selection of the proper Rotomixx model for your application is simplified with our **MixxScale** sizing criteria. Our **MixxScale** program utilizes bulk fluid velocity and impeller size (foil diameter to tank diameter ratio) to provide the desired level of agitation, suspension of solids and top-to-bottom flow control. Our high efficiency Jetfoil™ impellers provide maximum performance using the lowest horsepower consumption and an optimized gearbox size to reduce overall costs.

Our **MixxScale** (MS) selections range from 1 through 4 with MS = 1 providing a lower level of agitation with little vortex and longer blend times (10-30 minutes), while MS = 4 is characterized by very vigorous agitation with excellent suspension and very rapid blend times of under 10 minutes. The following tables provide the best Rotomixx selection for the designated level of agitation, tank volume and viscosity.

